

Lis le mot (a,l,e,i,m,u,r,o,f,n,v,s,j,z,d,t,p,b,c,q,k,x,g)

xla grotte

xla griffe

xla griffe

x gris

xle gramme

xla grappe

xle gaz

xla gomme

xle grill

xla grenade

x gris

xle golf

xla grenade

xle gramme

xle tigre

xla glotte

xla grappe

xle gaz

xla gomme

xle tigre

xle golf

xle grill

xla glotte

xla grotte

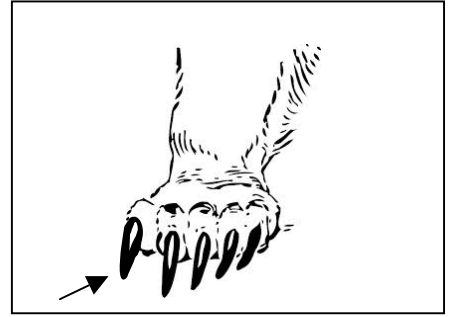
Lis le mot (a,l,e,i,m,u,r,o,f,n,v,s,j,z,d,t,p,b,c,k,x,g)



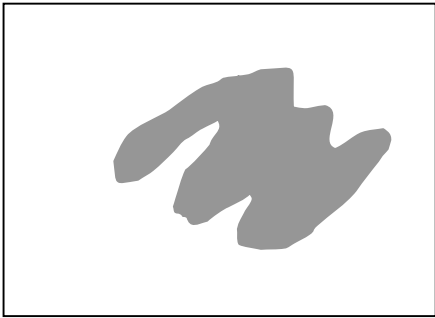
X



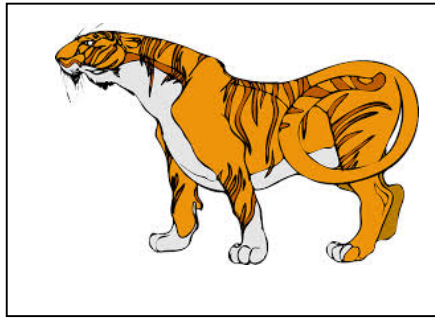
X



X



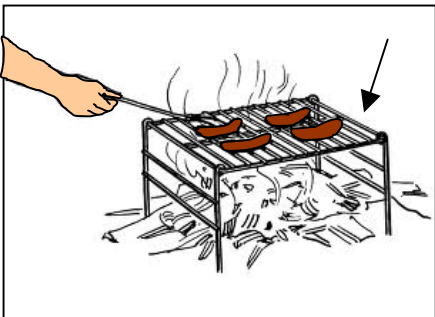
X



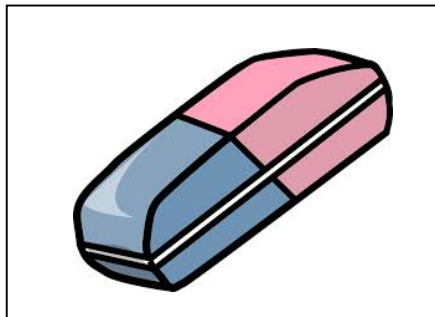
X



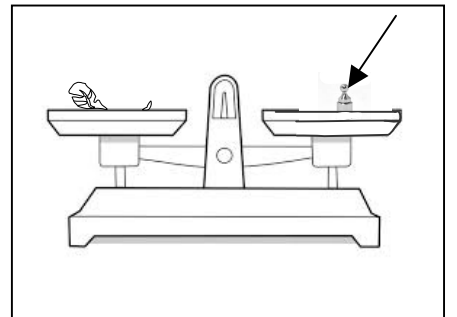
X



X



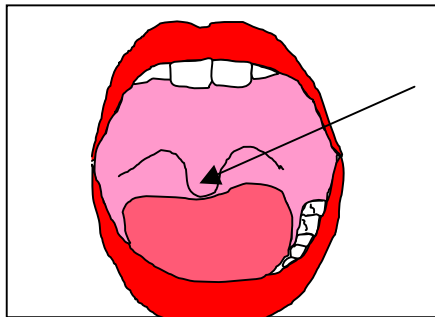
X



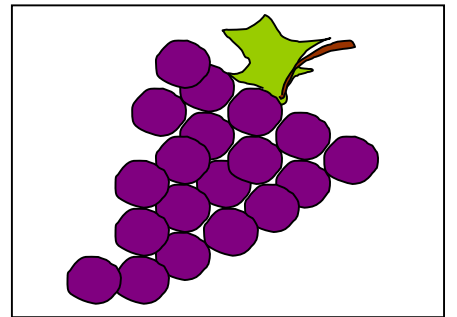
X



X

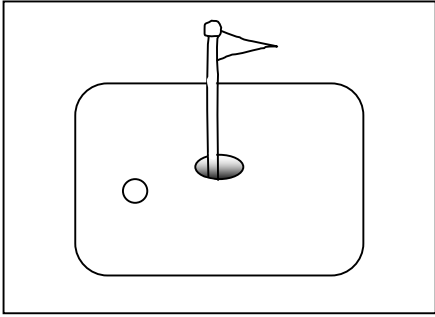


X

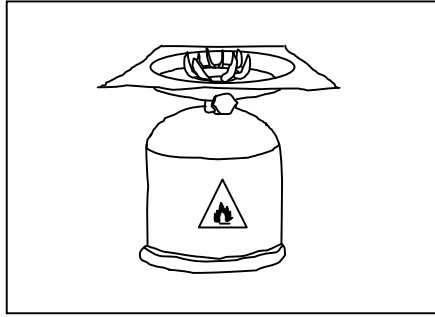


X

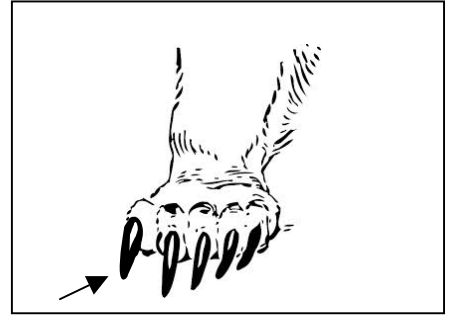
Lis le mot (a,l,e,i,m,u,r,o,f,n,v,s,j,z,d,t,p,b,c,k,x,g)



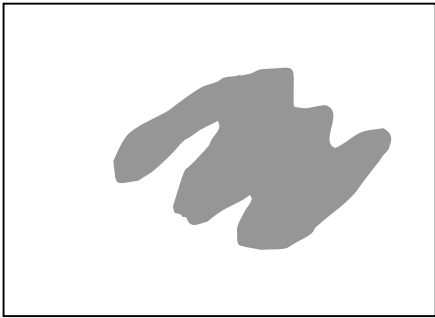
X



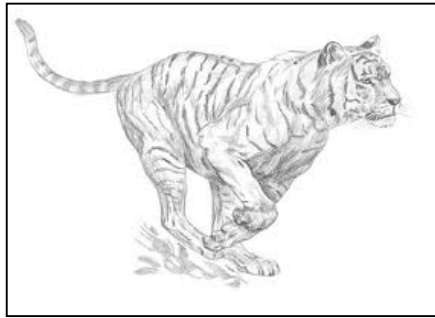
X



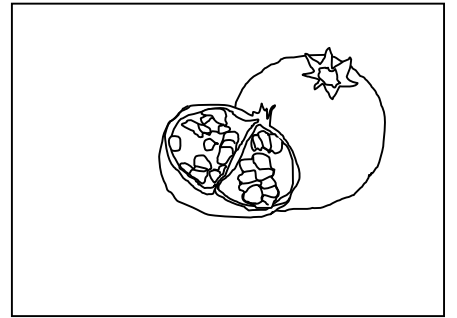
X



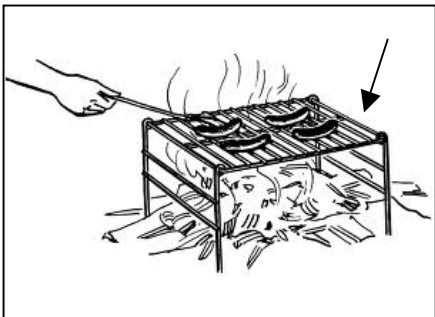
X



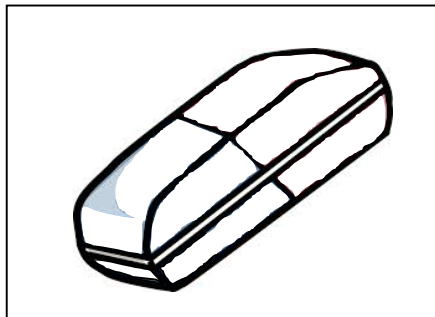
X



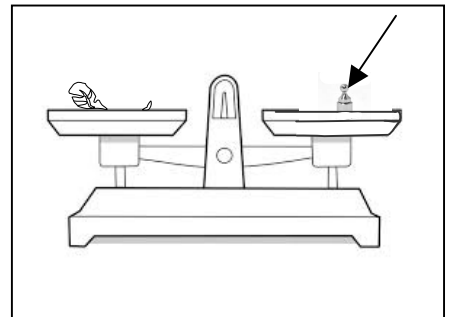
X



X



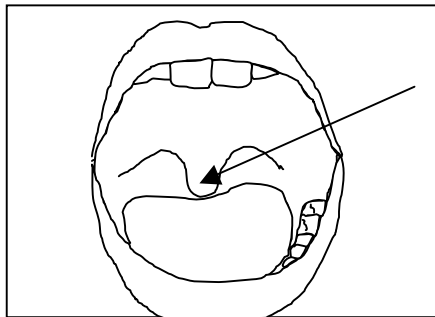
X



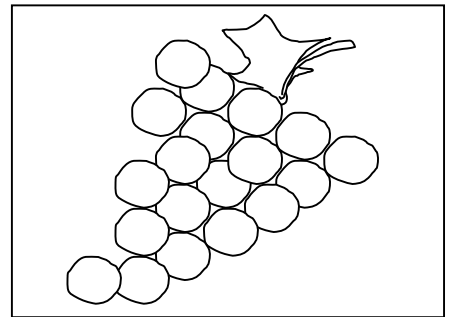
X



X



X



X